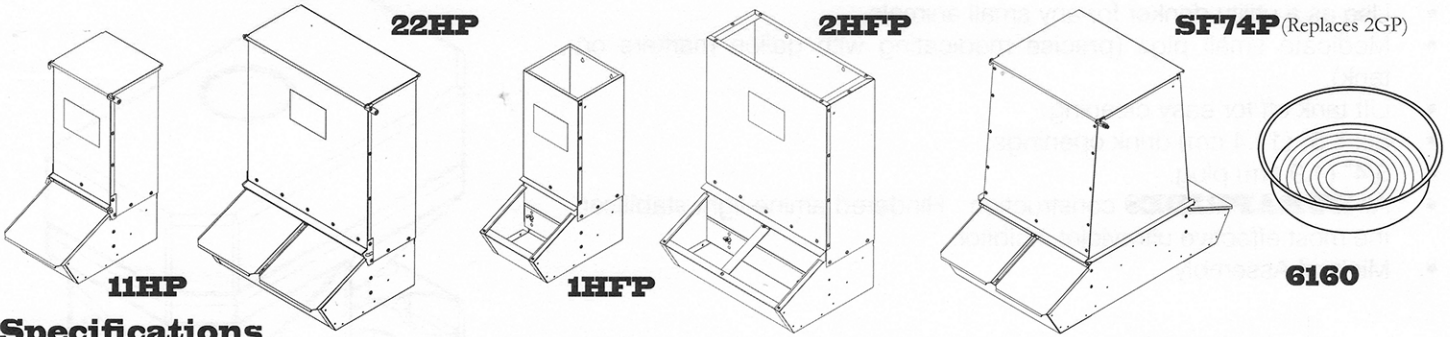


# GALVANIZED HOG FEEDERS

JUST WHAT YOU NEED FOR SMALL HOG OPERATIONS, 4-H AND FFA PROJECTS



## Specifications

Model Number & Description	Approx. Capacity		Openings	Dimensions in Inches (cm)			Shipping Weight lb (kg)
	Hogs	BU		Width	Length	Height	
11HP Single Door Feeder	4	1.5	1	12 (30.5)	20 (50.8)	29.5 (74.9)	26 (11.8)
22HP Two Door Feeder	8	3.7	2	23 (58.4)	20 (50.8)	36 (91.4)	43 (19.5)
1HFP - Dry Lot Feeder	4	1.5	1	12 (30.5)	20 (50.8)	29.5 (74.9)	23 (10.5)
2HFP Two Door Dry Lot feeder	8	3.7	2	23 (58.4)	20 (50.8)	36 (91.4)	43 (19.5)
SF74P Gro-Fast Hog Feeder	20	7	4	42 (106.7)	25.5 (64.8)	40 (101.6)	98 (44.5)
6160 Utility Pan	2.9 gal (11 l)		--	16.75 (42.5) Diameter x			2.2 (1)
	9 lb (4.1 kg)			3.375 (8.6) High			
6160X Utility Pan (1000 or More)	2.9 gal (11 l)		--	16.75 (42.5) Diameter x			2.2 (1)
	9 lb (4.1 kg)			3.375 (8.6) High			